



FOR IMMEDIATE RELEASE

Contact: Eddie Stevenson
(210) 259-8491

January 16, 2012

Trijicon®, Inc. Adds 4x32 Battery ACOG Model to Proven Lineup

Wixom, MI— The undisputed leader in battlefield optics adds another model to its proven ACOG (Advanced Combat Optical Gunsight) line with the introduction of its 4x32 Battery ACOG.

The new 4x32 Battery ACOG provides operators six dialable levels of reticle intensity when conditions demand them. Thanks to Trijicon's engineering advancements in optical efficiency, the 4x32 Battery ACOG provides over 12,000 hours of red, non-forward emitting illumination from one AA battery.

“Some might wonder, why put a battery in an ACOG? Shooters the world over love their Trijicon ACOG but if there is an improvement that can be made, most would agree that the ability to adjust the reticle illumination would be a great upgrade. This is the main reason for developing the battery ACOG,” says Tom Munson, Trijicon Director of Sales & Marketing.

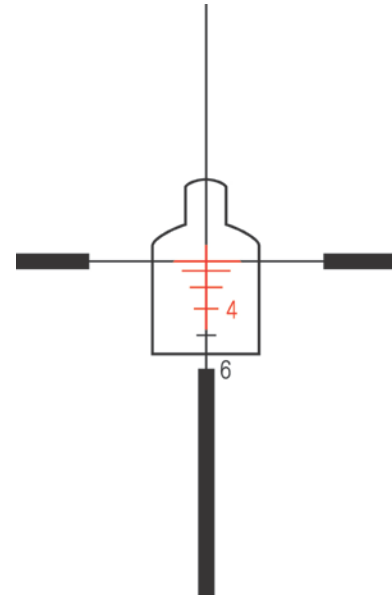
Forged aluminum, mil-spec construction produces a waterproof/fog-proof unit that's second to none in durability. Premium, fully multi-coated optics and parallax-free, 4-times magnification combined with precise, 1/2-inch click adjustments assure shot-after-shot accuracy even in adverse conditions.

For more information on the 4x32 Battery ACOG and the complete array of Brilliant Aiming Solutions™ for the hunting, shooting, military and law enforcement markets, contact Trijicon®, Inc. at (248) 960-7700 or visit www.trijicon.com.

For Hi-Res images, please contact Eddie Stevenson at eddie@driftwoodmediacom.com or visit www.driftwoodmediacom.com.

###

Trijicon 4x32 Battery ACOG Model



Specifications

Optical System

Operating Principal	Magnified, battery operated tactical sight
Optical Magnification	4X
Theoretical Eye Relief	1.5 in (38 mm)
Functional Eye Relief	0.9 – 1.7 in (22.9 – 48.3 mm) >90% FOV
Exit Pupil	0.32 in (8.0 mm)
Field of View	7.0°, 36.8 ft @ 100 yds (12.29 m @ 100 m)
Eye Volume™	0.06 in ³ (1,054 mm ³)
Parallax	Vertical parallax-free
Reticle Diopter	Fixed at -0.50 nominal ± 0.25
Adjustment Range	± 0°20' = ± 20 MOA (± 5.8 mils) minimum
Adjustment Increments	2 clicks per inch @ 100 yds
Optical Coating	Fully Multi-Layer Coating per MIL-C-14806A or Broadband Anti-Reflective Coating
Reticle Color	Red
Optical Signature	Zero forward emission

Power Source

Reticle Illumination	LED
Battery Type	Single 1.5V (AA Size Battery)
Battery Life	Over 12,000 hours on setting #4 using supplied alkaline battery at 21°C (70°F)
Brightness Settings	(6) Brightness settings, with an 'OFF' setting before and between each setting / OFF / #1 / OFF / #2 / OFF / #3 / OFF / #4 / OFF / #5 / OFF / #6

Physical Specifications

Dimensions	6" L x 2.9" W x 3.0" H (153 x 74 x 76 mm) with TA51 mount
Weight	18.1 oz (514 g) with TA51 mount and alkaline battery
Material – Housing	7075-T6 Forged Aluminum, hard coat anodized per MIL-A-8625, Type III, Class 2, dull & non-reflective.

Environmental Specifications

Temperature Range, operating	Testing per MIL-STD-810G -46°C (-50.8°F) to +85°C (185°F)
Corrosion	Hard anodized coating protects against corrosion and battlefield chemicals
Immersion	Waterproof to 66 ft (20 m) Waterproof to 50 ft (15 m) without adjuster caps installed tightly
Shock	1,100 G's 0.2 ms

Mechanical Interface

Mount	Optic attaches onto mount for MIL-STD-1913 rail equipped weapons
-------	--